

***HilArk Industries***

***QUALITY THAT WORKS***

# **MATERIAL DUMP BODY**

## **Owner's Manual**



***HilBilt***<sup>®</sup>

***HilArk Industries***

20020 Interstate 30  
Benton, Arkansas  
72019-8045

800-333-3096  
[www.hilbilt.com](http://www.hilbilt.com)

# Table of Contents

About your Dump Body.....	2
Operating Instructions.....	3
Dumping Instructions .....	4
Monthly Maintenance.....	4
Hydraulic System Maintenance.....	5
Standard Dump Body Cylinders.....	6
Hydraulic Cylinder.....	7
Hydraulic Cylinder Replacement Service Parts.....	8
Standard Duty Rear Dump Hinge.....	9
Heavy Duty Rear Dump Hinge.....	10
Saddles and Tanks.....	11
Lights.....	12
Tailgate Latch Assembly.....	13
Tailgate Hinge Assembly .....	14
Parts List.....	15
<b>HilArk</b> Warranty.....	17

## About Your MATERIAL STYLE DUMP BODY

# Operating Instructions

1. **DO NOT** operate this equipment until you have been properly trained in its operation.
2. When the vehicle is in transit the hoist control valve **MUST BE** kept in neutral and the PTO disengaged.
3. Tailgate controls **MUST BE** locked when this vehicle is in transit.
4. **DO NOT** overload the dump body.
5. When the truck is stored or not in use, the body **MUST BE** in the fully lowered position, and resting on the chassis or hoist frame. Ignition key **SHOULD BE** removed to prevent tampering by un-authorized personnel.
6. Inspect the hydraulic oil level and quality regularly and be sure to change it regularly and especially when a new cylinder is installed.
7. Inspect all hydraulic hoses regularly.
8. Regularly lubricate the cylinder's end-mounts.
9. Be sure the cylinder is free of entrapped air.

When the body is in the elevated or raised position for any repairs or adjustments, it **MUST BE** securely propped or blocked so it can not fall on anyone.

# Dumping Instructions

1. This vehicle **MUST BE** kept on level ground before dumping.
  2. **DO NOT** raise dump body on ground that has been recently excavated or filled without being properly compacted.
  3. **DO NOT DUMP BENEATH HIGH-VOLTAGE POWER LINES.**
  4. The operator **MUST REMAIN** at the controls during the dumping cycle.
  5. The tailgate controls **MUST BE** released before the front of the body is 2 feet (0.6m) above the chassis frame.
  6. When operating **DO NOT** allow anyone to stand in or move through the area where the hoist operates or into an area where an upset load might fall.
- DO NOT** jerk the truck when trying to dump a sticky load.

# Monthly Maintenance

1. Lubricate upper tailgate hinge pins (left & right)
2. Bleed air out of hoist (see Hydraulic System Maintenance)
3. Lubricate tailgate latch assembly
4. Adjust tailgate linkage
  - a. Check for proper adjustment.  
(tailgate latch rod should be “breaking over” firmly)
  - b. If the tailgate latch rod needs adjusting,
    1. Loosen the nuts on the rear side of the adjusting angle.  
(part #151-3329, page 13)
    2. Tighten the nut on the front side of the adjusting angle
  - c. Adjust the nut in ½” revolution increments, adjusting both sides evenly until the latch rod “breaks over” firmly.
  - d. Retighten the rear nut.

# Hydraulic System Maintenance

## Hydraulic Fluid

A good grade of non-foaming 10 weight hydraulic fluid should be used. Before filling, be sure that the oil reservoir is clean. Dirty oil containing dirt and metal particles is nearly always responsible for premature pump failure. Periodic inspection should be made for dirt or sludge in the bottom of the reservoir. Avoid racing the engine to increase pump RPM as this will cause overheating of the pump, resulting in oil breakdown.

## Air Entrapment

Air entrapped in the hydraulic system causes erratic operation such as spongy response for the hoist or jerky operations. Follow these steps to properly purge system:

- A. Loosen the bleeder valve located on the top pin eye, which is accessible through the door on the front of the trailer.
- B. Operate the pump at slow engine speed until the air is eliminated and hydraulic fluid is present.
- C. Tighten the bleeder valve cap securely, being careful not to overtighten, to stop the oil flow. The hoist should operate smoothly.

## Inspection

Hydraulic system is subjected to extreme service due to vibration; therefore, periodic inspection is necessary to insure continuous service. Check the pump and the hoist connection for leakage. The linkage to the PTO and the pump valve should be checked for proper operation.

# Standard DUMP BODY Cylinders

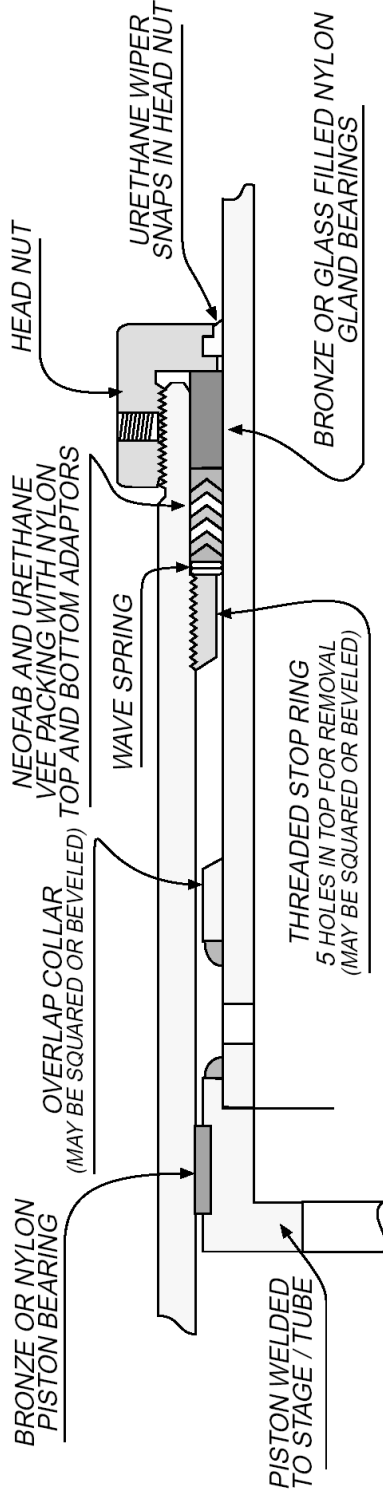
**NOTE:**

The cylinders shown below are for standard dump bodies from the year 2002 and later. Your dump body may be different. Contact **HilArk** for the exact replacement cylinder.

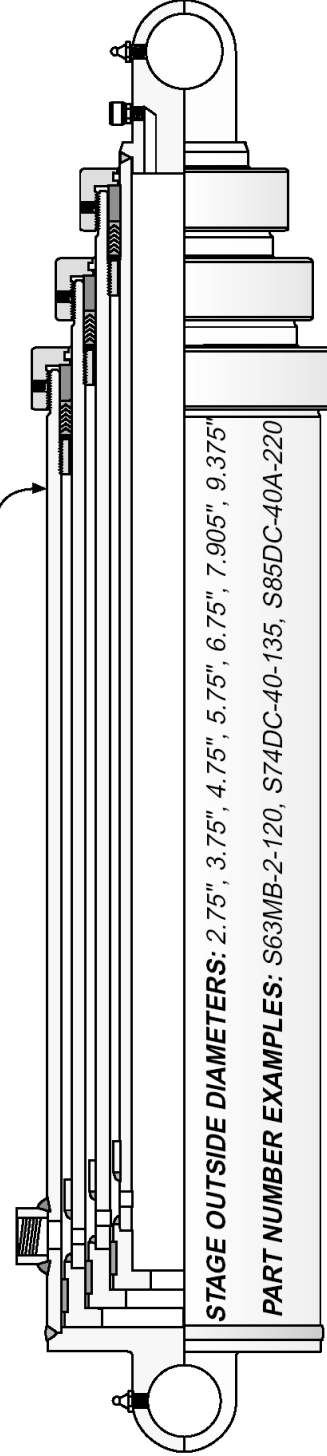
DUMP BED LENGTH	CAPACITY IN CUBIC YARDS	CYLINDER	SADDLE	TANK	HINGE
8'	4-5	53-72	Standard	Standard	Standard
9'	5-6	53-72	Standard	Standard	Standard
10'	5-6	53-84	Standard	Standard	Standard
	6-8	53-84	Standard	Standard	Standard
	6-10	53-84	Standard	Standard	Standard
11'-6"	8-10	63-111	Standard	Standard	Heavy Duty
	10-12	63-111	Standard	Standard	Heavy Duty
12'	8-10	63-111	Standard	Standard	Heavy Duty
	10-12	63-111	Standard	Standard	Heavy Duty
13'	8-10	63-123	Standard	Standard	Heavy Duty
	10-12	63-123	Standard	Standard	Heavy Duty
	12-14	63-123	Standard	Standard	Heavy Duty
	13-15	63-123	Standard	Standard	Heavy Duty
14'	10-12	63-123	Standard	Standard	Heavy Duty
	12-14	63-123	Standard	Standard	Heavy Duty
	13-15	63-123	Standard	Standard	Heavy Duty
15'	10-12	63-123	Standard	Standard	Heavy Duty
	12-14	63-123	Standard	Standard	Heavy Duty
	13-15	63-123	Standard	Standard	Heavy Duty
16'	13-15	63-140	Standard	Standard	Heavy Duty
17'	13-15	74-161	Standard	Standard	Heavy Duty
18'	13-15	74-161	Standard	Standard	Heavy Duty

# Hydraulic Cylinder

## COMMERCIAL



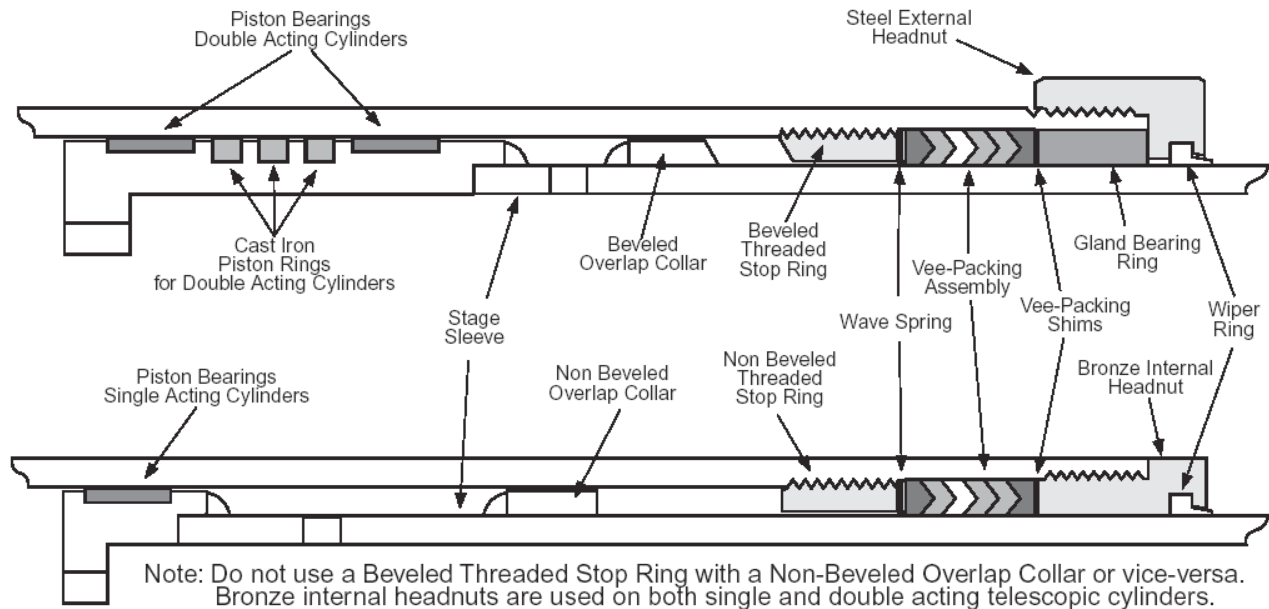
PART NUMBER & SERIAL NUMBER STAMPED ON METAL TAG



Parker Hannifin Corporation  
Mobile Cylinder Division  
Youngstown, OH



**Genuine Replacement Service Parts**



**Following are service parts used on STANDARD DESIGN COMMERCIAL cylinders**  
 Note: Commercial Hydraulics manufactures many different types and designs of cylinders. If you are not sure of service parts required please refer to the Cylinder Assembly print.

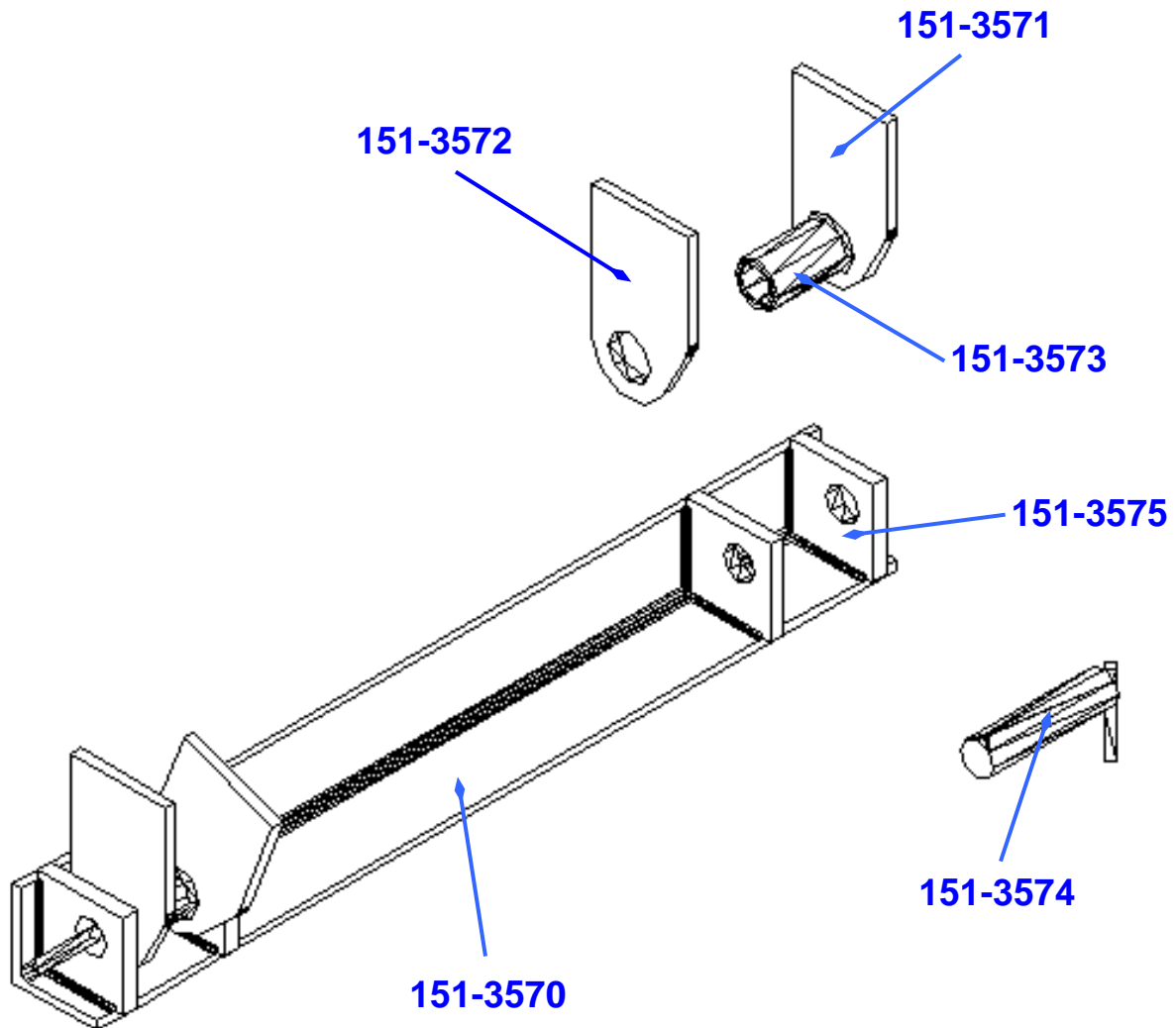
Description	2.75" Stage	3.75" Stage	4.75" Stage	5.75" Stage	6.75" Stage	7.905" Stage	9.375" Stage
Vee-Packing Assembly with Shims	375-9009-017 AJ3009-27	375-9009-034 AJ3009-37	375-9009-018 AJ3009-47	375-9009-019 AJ3009-57	375-9009-020 AJ3009-67	375-9009-021 AJ3009-79	375-9009-022 AJ3009-93
Wiper Ring	391-3882-061 Y3026-27	391-3882-053 Y3026-37	391-3882-054 Y3026-47	391-3882-055 Y3026-57	391-3882-056 Y3026-67	391-3882-057 Y3026-79	391-3882-058 Y3026-93
Gland Bearing Glass Filled Nylon	391-2682-001 J1003-1-1	391-2682-002 J1003-1-2	391-2682-003 J1003-1-3	391-2682-004 J1003-1-4	391-2682-005 J1003-1-5	391-2682-006 J1003-1-6	391-2682-007 J1003-1-7
Gland Bearing Bronze	375-9003-064 AH1003-27	375-9003-044 AH1003-37	375-9003-045 AH1003-47	375-9003-046 AH1003-57	375-9003-063 AH1003-67	375-9003-041 AH1003-79	375-9003-066 AH1003-93
Wave Spring	391-3581-320 P1327-27	391-3581-300 P1327-37	391-3581-301 P1327-47	391-3581-302 P1327-57	391-3581-303 P1327-67	391-3581-304 P1327-79	391-3581-310 P1327-93
Threaded Stop Non-Beveled	375-4020-001 F4020	375-3020-002 F3020	375-6020-002 F6020	375-5020-001 F5020	375-7020-001 F7020	375-8020-001 F8020	375-9020-001 F9020
Threaded Stop Beveled	375-3020-110 AG3020-1-27	375-3020-111 AG3020-1-37	375-3020-112 AG3020-1-47	375-3020-113 AG3020-1-57	375-3020-114 AG3020-1-67	375-3020-120 AG3020-2-79	375-3020-119 AG3020-2-93
Piston Bearing Glass Filled Nylon	391-2684-123 U3023-32	391-2684-069 U3023-42	391-2684-070 U3023-52	391-2684-071 U3023-62	391-2684-072 U3023-72	391-2684-073 U3023-84	391-2684-098 U3023-98
Piston Bearing Bronze	N/A	375-9023-079 AM3023-42	375-9023-038 AM3023-52	375-9023-039 AM3023-62	375-9023-040 AM3023-72	375-9023-041 AM3023-84	375-9023-042 AM3023-98
Cast Iron Piston Ring	391-2683-010 X78-3.25-1	391-2683-014 X78-4.25	391-2683-019 X78-5.25	391-2683-024 X78-6.25	391-2683-029 X78-7.25	391-2683-034 X78-8.437	391-2683-042 X78-9.88
Steel External Headnut	391-1470-162 YA3011-27	391-1470-163 YA3011-37	391-1470-164 YA3011-47	391-1470-165 YA3011-57	391-1470-166 YA3011-67	391-1470-167 YA3011-79	391-1470-177 YA3011-93
Bronze Internal Headnut	391-1470-079 MA3011-27	391-1470-070 MA3011-37	391-1470-071 MA3011-47	391-1470-072 MA3011-57	391-1470-073 MA3011-67	391-1470-074 MA3011-79	391-1470-075 MA3011-93



Parker Hannifin Corporation  
 Mobile Cylinder Division  
 Youngstown, OH



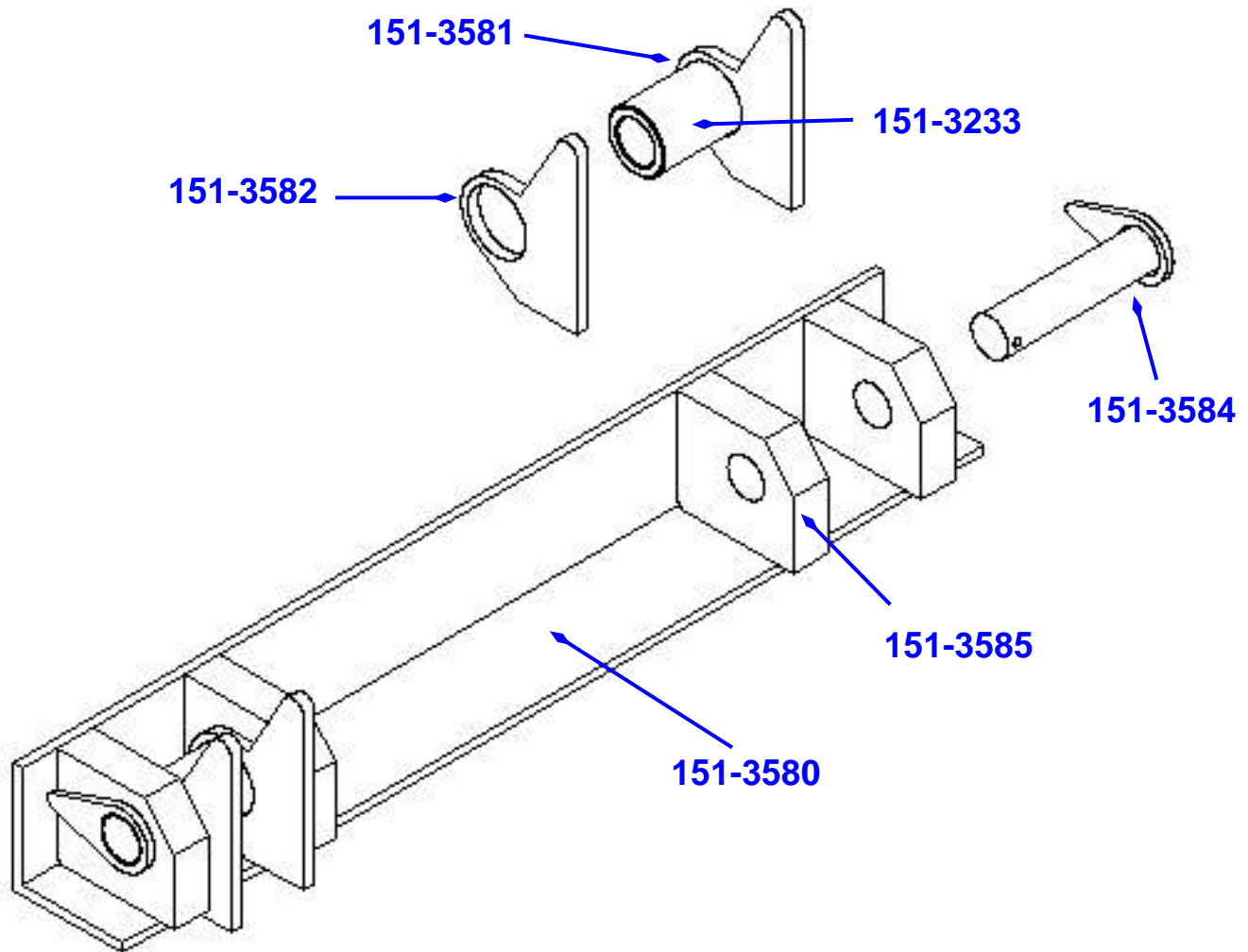
# Standard Duty Rear Dump Hinge



## Standard Duty Rear Dump Hinge

- 151-3570 Dump Bed Standard Duty Hinge
- 151-3571 Dump Bed Standard Duty Hinge Arm (With Bushing)
- 151-3572 Dump Bed Standard Duty Hinge Arm (Without Bushing)
- 151-3573 Dump Bed Standard Duty Hinge Bushing (Without Hinge Arm)
- 151-3574 Dump Bed Standard Duty Hinge Pin
- 151-3575 Dump Bed Standard Duty Hinge Side Plate

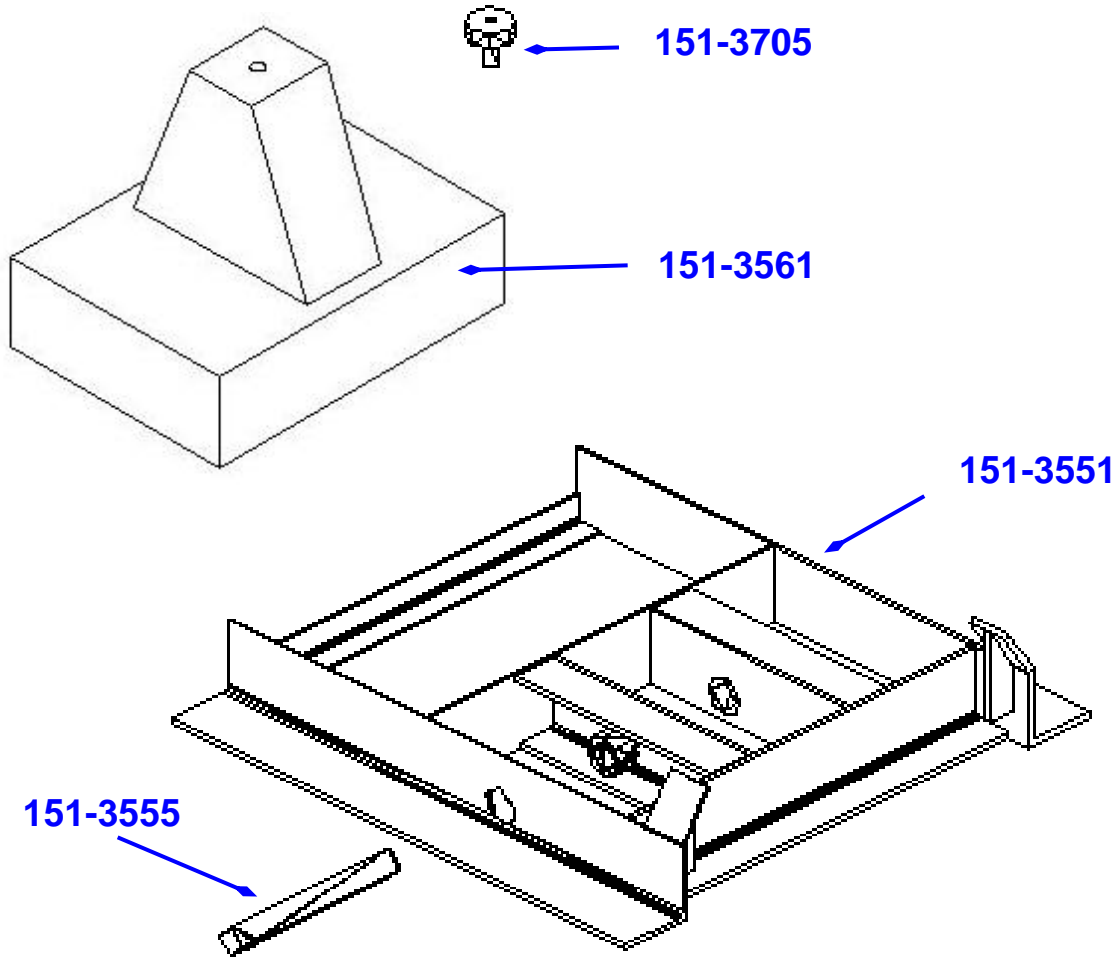
# Heavy Duty Rear Dump Hinge



## Heavy Duty Rear Dump Hinge

- 151-3580 Dump Bed Heavy Duty Hinge
- 151-3581 Dump Bed Heavy Duty Hinge Arm (With Bushing)
- 151-3582 Dump Bed Heavy Duty Hinge Arm (Without Bushing)
- 151-3233 Dump Bed Heavy Duty Hinge Bushing (Without Hinge Arm)
- 151-3584 Dump Bed Heavy Duty Hinge Pin
- 151-3585 Dump Bed Heavy Duty Hinge Side Plate

# DUMP BODY Saddles and Tanks



## Pin

151-3555 (1-15/16" x 13" W/ 9/16" Hole)

## Saddles

151-3551 39-3/4" Saddle

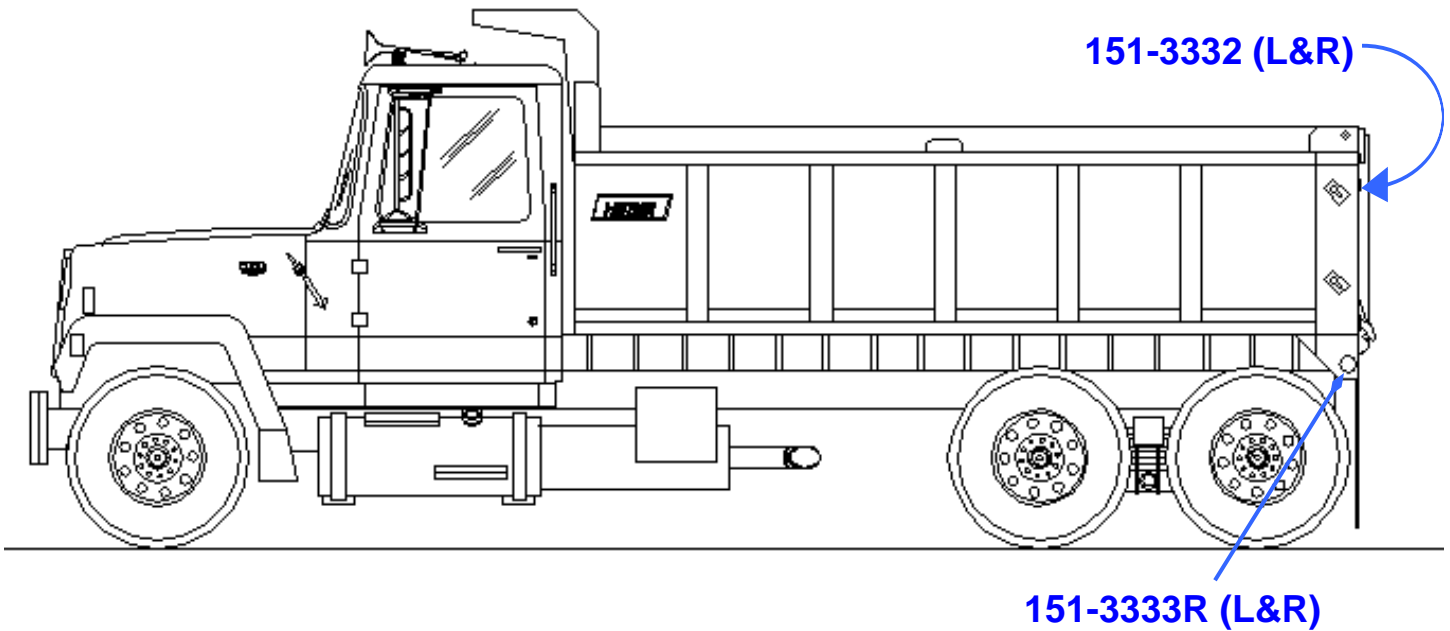
## Tanks

151-3561 Standard Tank

## Breather Filter

151-3705 Breather Filter

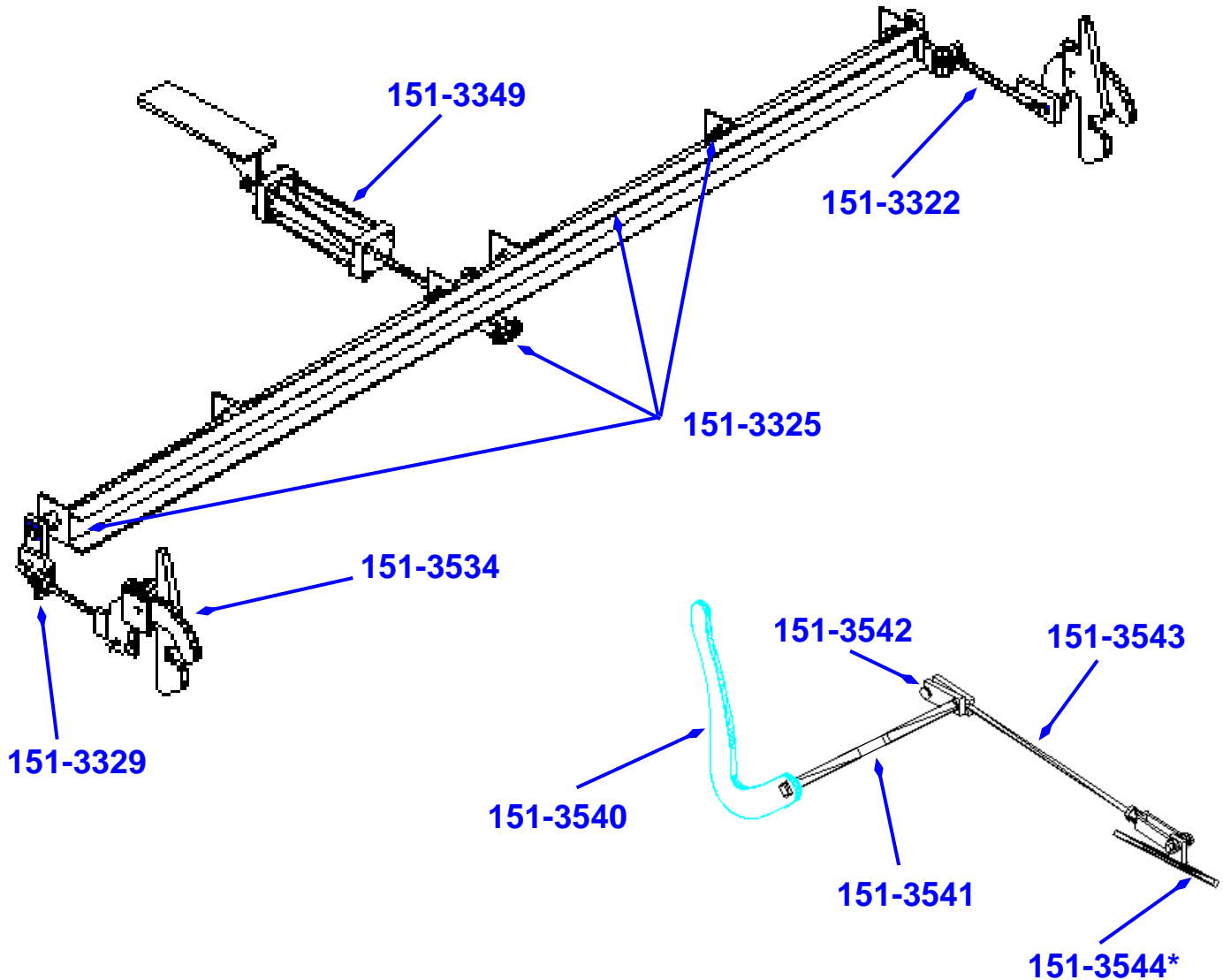
# Lights



## Lights

- 151-3332 Upper Rear Marker Incan (Left & Right)
- 151-3333R Lower Rear Marker Incan (Left & Right)
- 151-3335 Grommet for Upper Rear ((Left & Right)
- 151-3336 Grommet for Marker
- 151-3411 Harness Upper Rear Marker
- 151-3413 Harness Lower Rear Side Marker

# Tailgate Latch Assembly



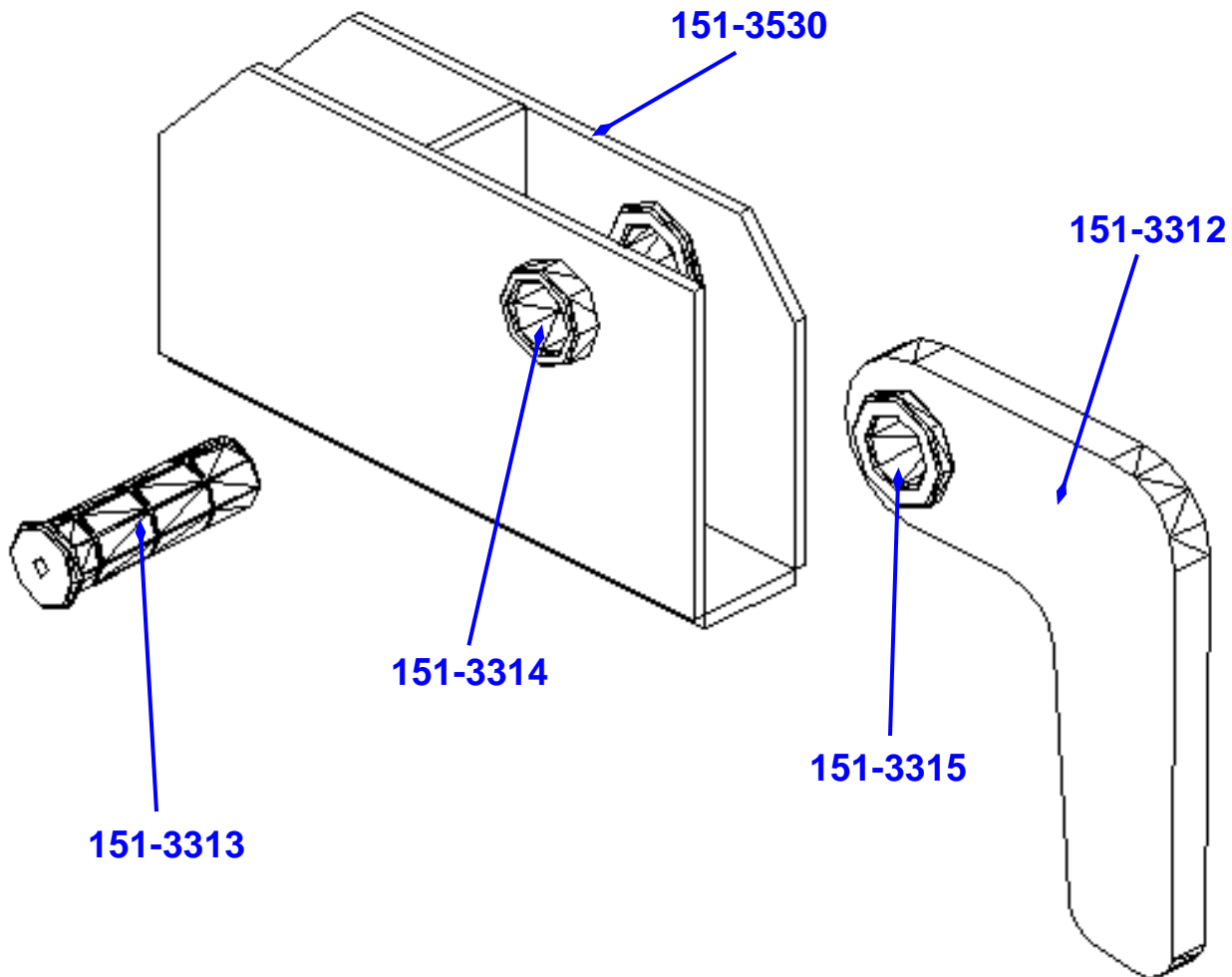
## Tailgate Latch Assembly

- 151-3322 Latch Rod (Left or Right)
- 151-3325 Complete Tailgate Latch Assy
- 151-3329 Adjusting Angle
- 151-3534 Tailgate Latch (Left and Right)
- 151-3349 2 1/2" X 8" Cylinder

## Manual Tailgate Latch Assembly

- 151-3540 Tailgate Latch Handle
  - 151-3541 Front Control Rod
  - 151-3542 "Break Over" Block
  - 151-3543 Adjusting Linkage Rod
  - 151-3544 Long Tailgate Latch Rod\*
- \* Specify Length

# Tailgate Hinge Assembly



## Tailgate Hinge Assembly

151-3312	Hinge Arm (Without Bushing)
151-3313	Hinge Pin
151-3314	Short Bushing
151-3315	Long Bushing
151-3530	Tailgate Hinge Assembly

# Parts List

## Hydraulic Cylinder

Call **HilArk** for the exact replacement cylinder

800-333-3096

## Standard Duty Rear Dump Hinge

- 151-3570 - Standard Duty Hinge
- 151-3571 - Standard Duty Hinge Arm (With Bushing)
- 151-3572 - Standard Duty Hinge Arm (Without Bushing)
- 151-3573 - Standard Duty Hinge Bushing (Without Hinge Arm)
- 151-3574 - Standard Duty Hinge Pin
- 151-3575 - Standard Duty Hinge Side Plate

## Heavy Duty Rear Dump Hinge

- 151-3580 - Heavy Duty Hinge
- 151-3581 - Heavy Duty Hinge Arm (With Bushing)
- 151-3582 - Heavy Duty Hinge Arm (Without Bushing)
- 151-3233 - Heavy Duty Hinge Bushing (Without Hinge Arm)
- 151-3584 - Heavy Duty Hinge Pin
- 151-3585 - Heavy Duty Hinge Side Plate

## Saddles and Hydraulic Tanks

- 151-3555 - Pin (1-15/16" x 13" W/ 9/16" Hole)
- 151-3551 - Saddle (39-3/4")
- 151-3561 - Hydraulic Tank (Standard)
- 151-3705 - Breather Filter

# Parts List Continued

## Lights

- 151-3332 - Upper Rear Marker Incandescent (Left and Right)
- 151-3333R - Lower Rear Marker Incandescent (Left and Right)
- 151-3335 - Grommet for Upper Rear Marker (Left and Right)
- 151-3336 - Grommet for Lower Rear Side Marker
- 151-3411 - Harness Upper Rear Marker
- 151-3413 - Harness Lower Rear Side Marker

## Tailgate Latch Assembly

- 151-3322 - Latch Rod (Left or Right)
- 151-3325 - Complete Tailgate Rear Latch
- 151-3329 - Adjusting Angle
- 151-3534 - Tailgate Latch (Left and Right)
- 151-3349 - 2½" X 8" Cylinder

## Manual Tailgate Latch Assembly

- 151-3540 - Tailgate Latch Handle
- 151-3541 - Front Control Rod
- 151-3542 - "Break Over" Block
- 151-3543 - Adjusting Linkage Rod
- 151-3544 - Long Tailgate Latch Rod (Specify Length)

## Tailgate Hinge Assembly

- 151-3312 - Hinge Arm (Without Bushing)
- 151-3313 - Hinge Pin
- 151-3314 - Short Bushing
- 151-3315 - Long Bushing
- 151-3530 - Tailgate Hinge Assembly



# Manufacturer's Warranty

## *HilArk Industries*

**HilArk Industries** referred to herein as the Manufacturer, warrants each new product of its own manufacture to be free from defects in material and workmanship, under normal use and service, to the original owner only, for a period of twelve (12) months from the date of purchase, subject to conditions and warranty extensions outlined below. Manufacturer's obligation under this warranty is limited to repair or replacement with a similar part of any part of the product of its manufacture which is returned to Manufacturer within thirty (30) days after discovery of the defect by the original owner, properly identified with transportation charges prepaid, and is returned to Manufacturer not more than twelve (12) months from the date of purchase by the original owner, provided that in Manufacturer's judgement the part is defective in material or workmanship.

Manufacturer will furnish without charge, FOB its plant a similar part to replace any part of a product of its manufacture which proves in Manufacturer's judgement to be defective in material or workmanship while in normal use and service during this warranty period.

The Manufacturer's warranty or obligation in connection with the sale of the product to the original owner:

1. Shall be expressly limited to the repair or replacement of defective parts, as stated above, all other damage and claims, statutory or otherwise, being hereby expressly waived by the purchaser and covers only those labor charges specifically authorized and approved by Manufacturer.
2. Shall not apply to failure or damage incurred through the original owner's neglect, lack of maintenance, misuse, accident, improper installation and use, reconstructing or modifying of assemblies and parts or through any other cause beyond the control of the Manufacturer.
3. Shall not apply if the product has been operated or used beyond the Manufacturer's recommended capacity.
4. Does not cover products of other manufacturers beyond such warranty as is made by such other manufacturer.
5. Requires that all warranty repairs shall be made by a Manufacturer approved facility. A Manufacturer's distributor must obtain Manufacturer's authorization before making warranty repair or replacement.
6. Includes a Warranty Extension to the original owner following the initial twelve (12) months, subject to the following percentages of all parts and labor cost: 13-24 months, eighty percent (80%); 25-36 months, sixty percent (60%); 37-48 months, forty percent (40%); and 49-60 months, twenty percent (20%).

No claim under this warranty shall be valid unless such claim is submitted to Manufacturer within sixty (60) months after date of sale, and within thirty (30) days after the discovery of the defect, which is the basis for such claim, whichever shall occur first.

The foregoing is Manufacturer's sole warranty and Manufacturer makes no other warranties of any kind whatsoever, express, implied, or statutory. All implied warranties or merchantability and fitness for a particular purpose, written or oral are hereby disclaimed by the Manufacturer.

In no event shall **HilArk Industries** be liable for consequential damages, nor shall **HilArk's** liability on any claim for any direct, incidental or special damages arising out of, or connected with, sales contract or manufacture, sale, delivery, or use of the products shall exceed the purchase price of the goods.

**QUALITY THAT WORKS**

**HilBilt®**

20020 Interstate 30  
800-333-3096  
Fax: 501-794-0020

Benton, Arkansas

72019-8045  
501-794-2500  
[www.hilbilt.com](http://www.hilbilt.com)