

HilBilt

DUMP BODIES

Manufactured By
HilArk Industries



OPERATOR'S MANUAL

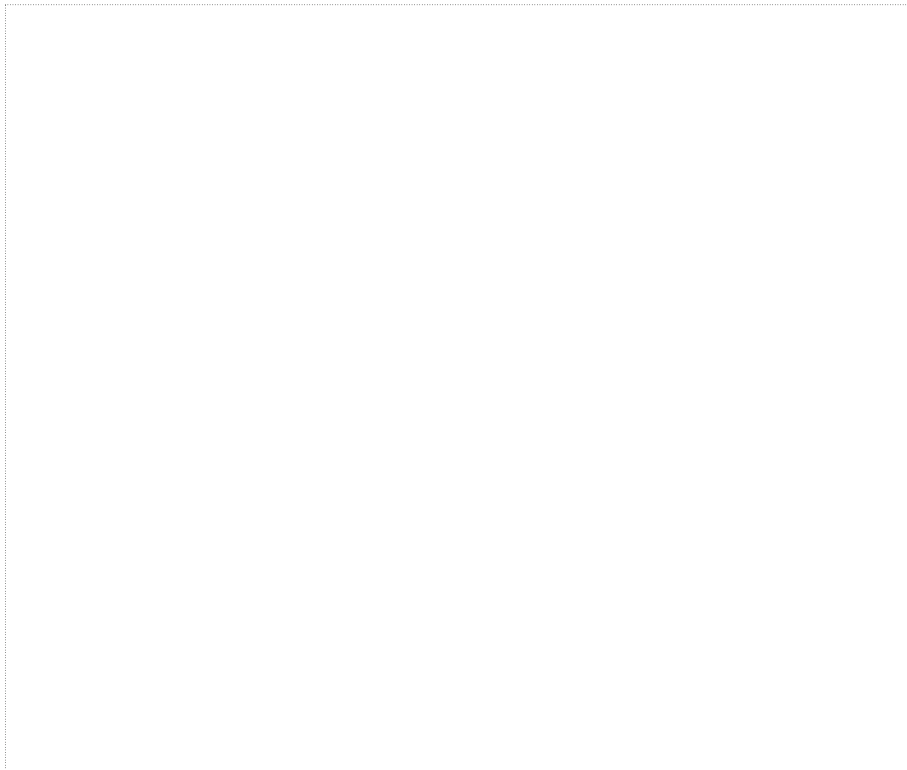
HILARK

HilArk Industries
20020 Interstate 30
Benton, AR 72019
(501) 316-4040
www.hilark.com

Table of Contents

Table of Contents	3
About Your Mongoose Dump Body	3
Operating & Dumping Instructions	4
Monthly / Hydraulic System Maintenance	5
Standard & Heavy Duty Mongoose Rear Dump Hinge	6
Hydraulic Tanks & Saddles	7
Tailgate Latch & Tailgate Hinge Assembly	8
Combo Hi-Lift Tailgate Assembly	9
Lights	10
Parts List	11
Parts List (Cont.)	12
Manufacturer's Warranty	13

About Your Mongoose Dump Body



Operating Instructions

1. **DO NOT** operate this equipment until you have been thoroughly and properly trained in its' operation.
2. The Hoist control valve **MUST BE** kept in **NEUTRAL** with the **PTO DISENGAGED** while vehicle is in transit.
3. Tailgate controls **MUST BE** locked while vehicle is in transit.
4. **DO NOT** overload the dump body.
5. When the truck is stored, or otherwise not in use, the body **MUST BE** in the fully lowered position firmly resting on the chassis or hoist frame. Ignition key **SHOULD BE** removed to prevent tampering by un-authorized personnel.
6. Inspect hydraulic oil level and quality on a regular basis and be sure to change regularly, especially when a new cylinder is installed.
7. Inspect **ALL** hydraulic hoses regularly.
8. Regularly lubricate hydraulic cylinder end-mounts.
9. Be sure the cylinder is free of entrapped air.
10. Be sure the body is in the elevated (raised) position for any repairs or adjustments it **MUST BE** securely propped or blocked so that it cannot fall and potentially cause serious injury or bodily harm.

Dumping Instructions

1. This vehicle **MUST BE** kept on level ground before dumping.
2. **DO NOT** raise dump body on ground that has been recently excavated or filled without being properly compacted.
3. **DO NOT DUMP BENEATH HIGH-VOLTAGE POWER LINES.**
4. The operator **MUST REMAIN** at the controls during the dumping cycle.
5. Tailgate controls **MUST BE** released before the front of the body is **TWO FEET (0.6m) (24" in)** above the chassis frame.
6. When operating, **DO NOT** allow anyone to stand in or move through the area where the hoist operates or into an area where an upset load might potentially fall.
7. **DO NOT** jerk the truck while trying to dump a sticky or otherwise stubborn load.

Monthly Maintenance

1. Lubricate upper tailgate hinge pins (left & right).
2. Bleed air out of hoist (see Hydraulic System Maintenance on Page 6).
3. Lubricate tailgate latch assembly.
4. Adjust tailgate linkage (see below).
 - a. Check for proper adjustment (Tailgate latch rod should be “breaking over” firmly).
 - b. If the tailgate latch rod needs adjusting:
 1. Loosen the nuts on the rear side of the adjusting angle.
 2. Tighten the nut on the front side of the adjusting angle.
 - c. Adjust the nut in 1/2” revolution increments, adjusting both sides evenly until the latch rod “breaks over” firmly.
 - d. Re-tighten the rear nut.

Hydraulic System Maintenance

HYDRAULIC FLUID:

A good grade of non-foaming 10-weight hydraulic fluid should be used. Before filling be sure that the oil reservoir is clean. Oil containing dirt, metal particles and other contaminants is nearly always responsible for pre-mature pump failure. Periodic inspection should be made for dirt or sludge in the bottom of the reservoir. Avoid racing the engine to increase pump RPM as this will cause overheating of the pump potentially resulting in oil breakdown.

AIR ENTRAPMENT:

Air entrapped in the hydraulic system causes erratic operation such as a spongy response for the hoist or jerky operations. Follow these simple steps to ensure a properly purged system:

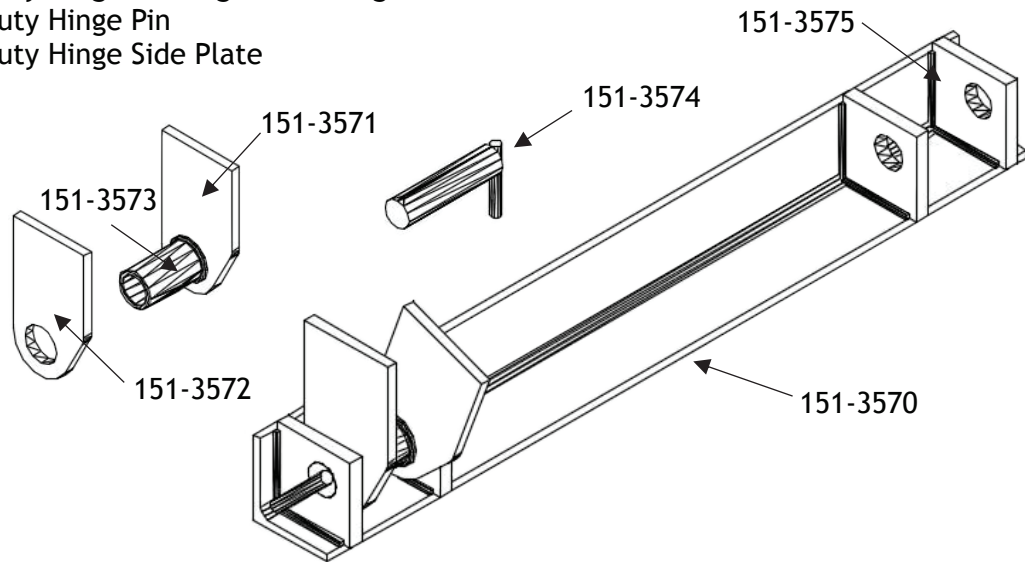
- A. Loosen the bleeder valve located on the top pin eye, accessible through the door on the front of the unit.
- B. Operate the pump at slow engine speed until the air is completely eliminated and hydraulic fluid is present
- C. Tighten the bleeder valve cap securely, being careful not to over tighten, to stop oil flow. The hoist should operate smoothly upon completion.

INSPECTION:

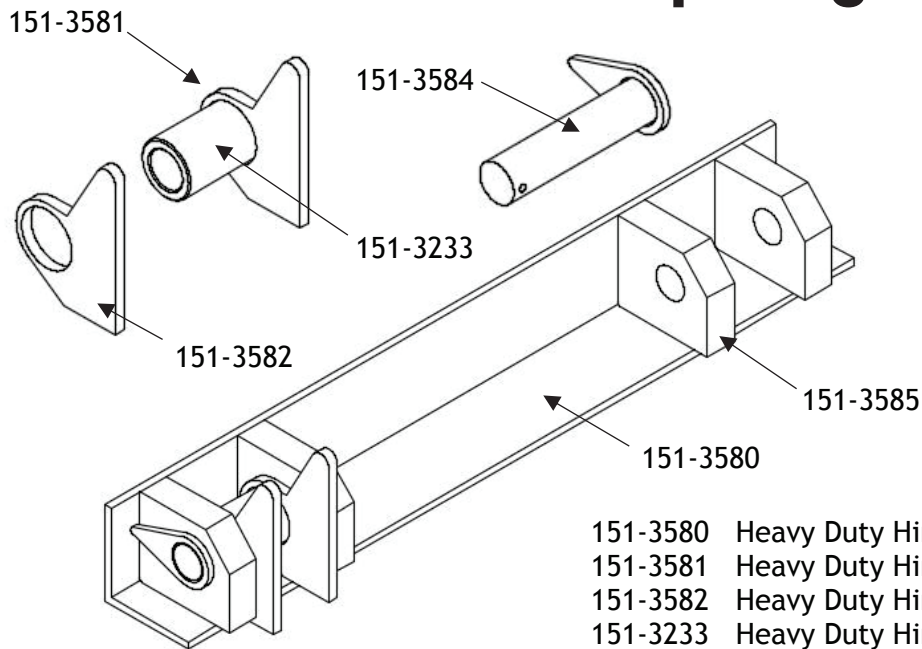
The hydraulic system is subjected to extreme conditions due to vibration. Therefore periodic inspection is necessary to insure continuous service. Check the pump and hoist connection for signs of leakage. The linkage to the PTO and pump valve should be checked for proper operation.

Standard Duty Rear Dump Hinge

- 151-3570 Standard Duty Hinge
- 151-3571 Standard Duty Hinge Arm w/Bushing
- 151-3572 Standard Duty Hinge Arm w/out Bushing
- 151-3573 Standard Duty Hinge Bushing w/out Hinge Arm
- 151-3574 Standard Duty Hinge Pin
- 151-3575 Standard Duty Hinge Side Plate



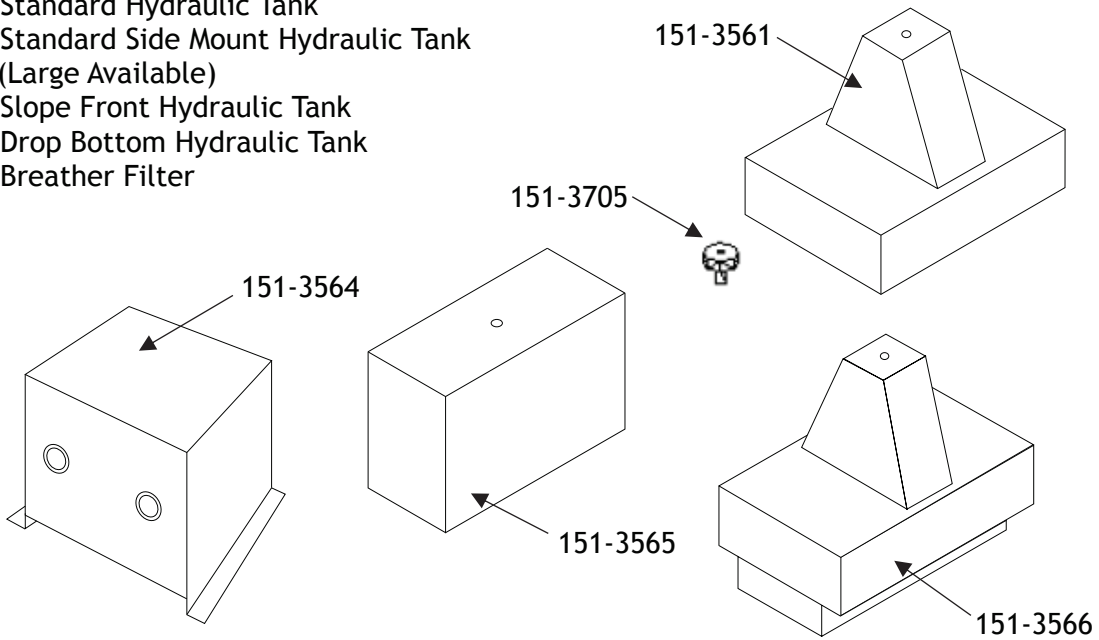
Heavy Duty Rear Dump Hinge



- 151-3580 Heavy Duty Hinge
- 151-3581 Heavy Duty Hinge Arm w/Bushing
- 151-3582 Heavy Duty Hinge Arm w/out Bushing
- 151-3233 Heavy Duty Hinge Bushing w/out Hinge Arm
- 151-3584 Heavy Duty Hinge Pin
- 151-3585 Heavy Duty Hinge Side Plate

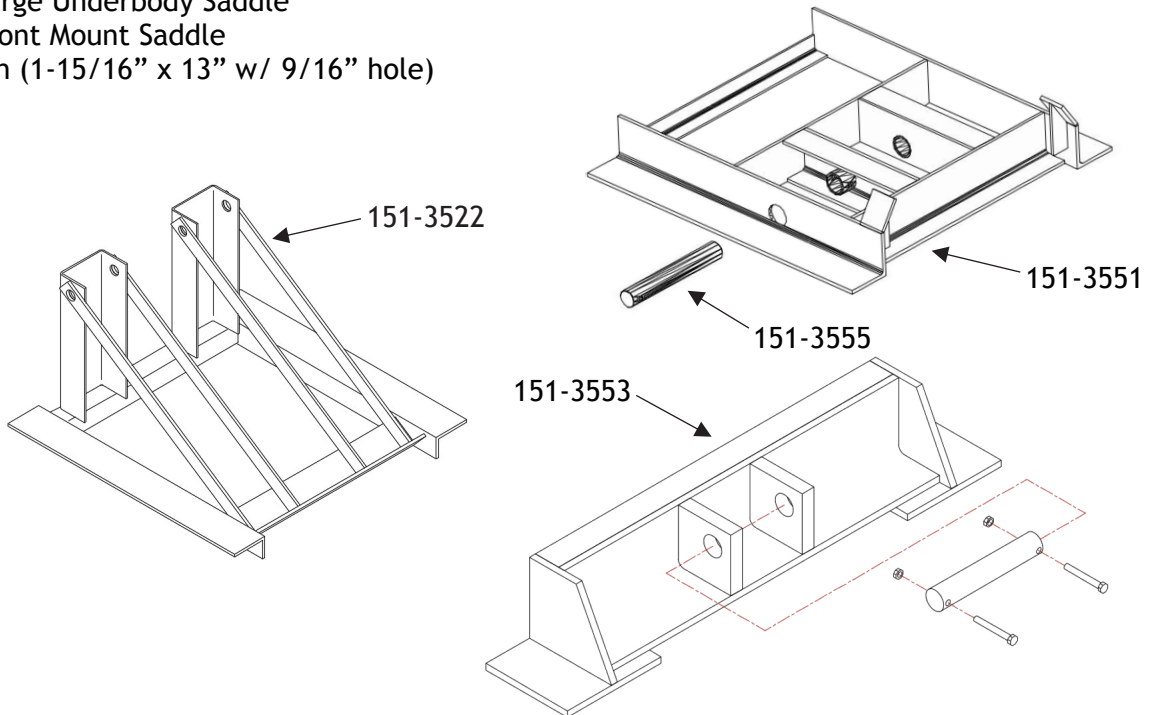
Hydraulic Tanks

- 151-3561 Standard Hydraulic Tank
- 151-3564 Standard Side Mount Hydraulic Tank (Large Available)
- 151-3565 Slope Front Hydraulic Tank
- 151-3566 Drop Bottom Hydraulic Tank
- 151-3705 Breather Filter



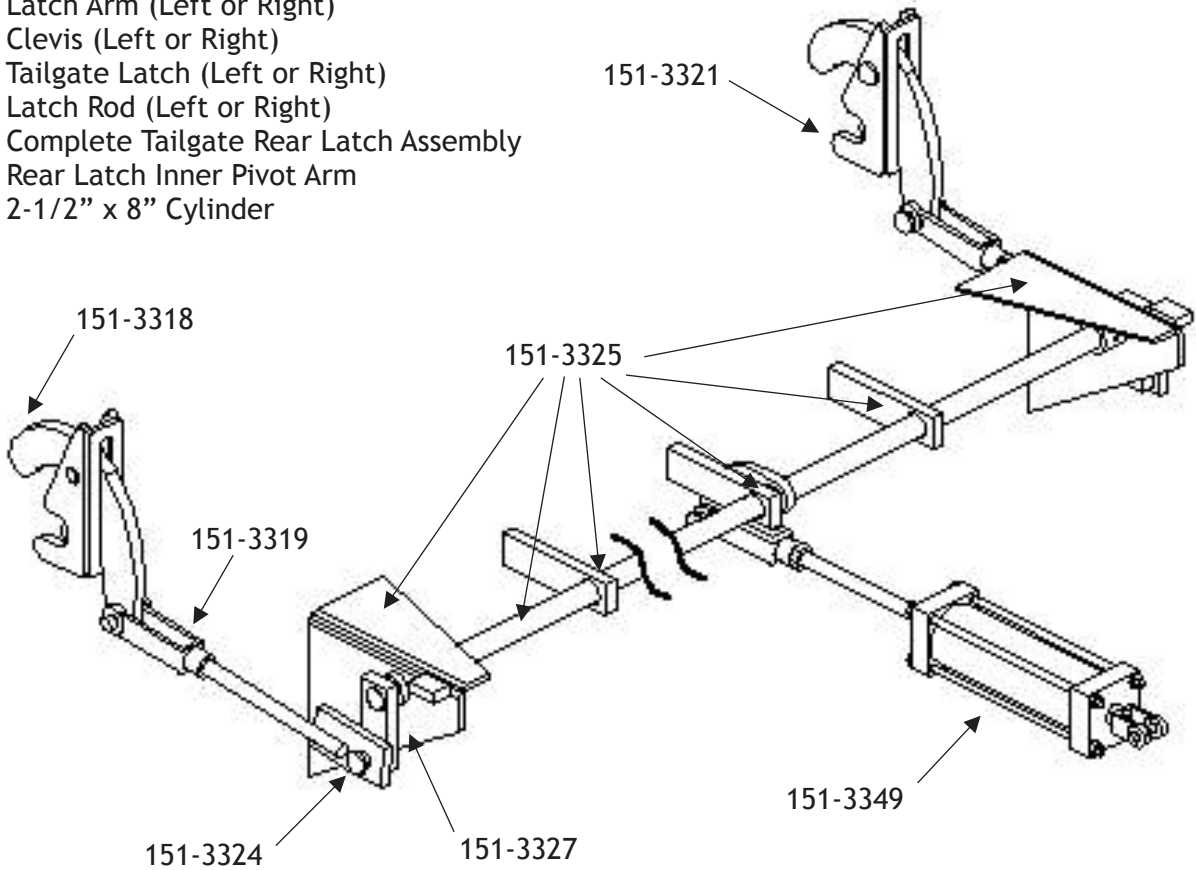
Saddles

- 151-3551 Standard Dump Body Saddle
- 151-3552 Large Underbody Saddle
- 151-3553 Front Mount Saddle
- 151-3555 Pin (1-15/16" x 13" w/ 9/16" hole)

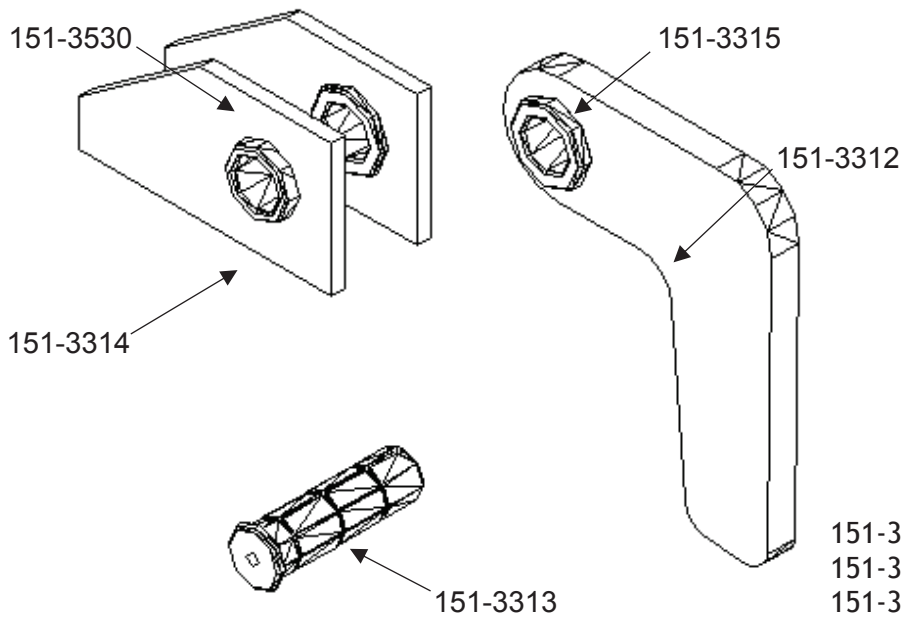


Tailgate Latch Assembly

- 151-3318 Latch Arm (Left or Right)
- 151-3319 Clevis (Left or Right)
- 151-3321 Tailgate Latch (Left or Right)
- 151-3324 Latch Rod (Left or Right)
- 151-3325 Complete Tailgate Rear Latch Assembly
- 151-3327 Rear Latch Inner Pivot Arm
- 151-3349 2-1/2" x 8" Cylinder

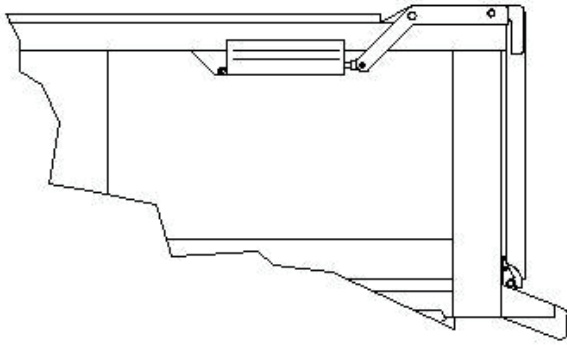


Tailgate Hinge Assembly

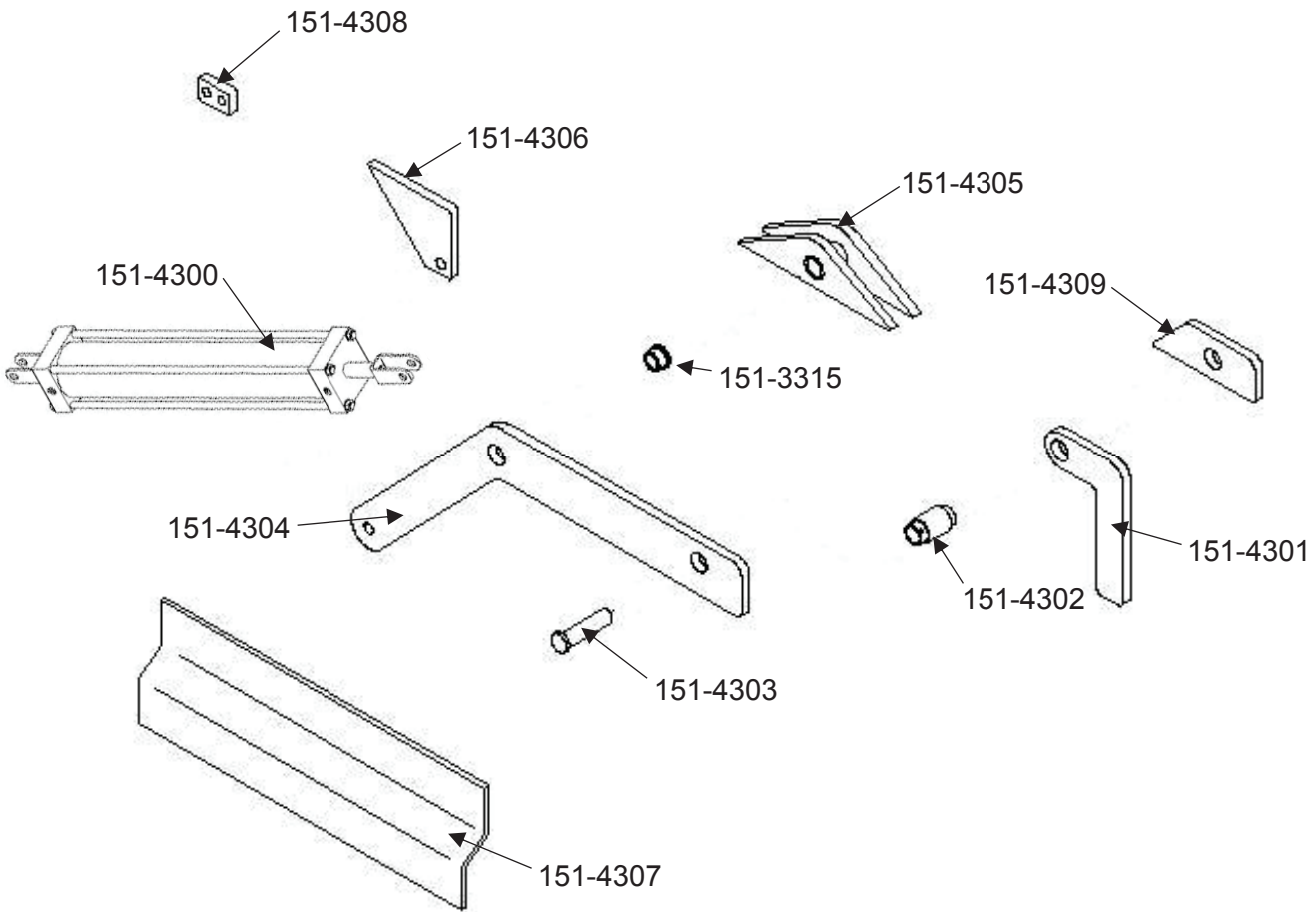


- 151-3312 Hinge Arm (w/out Bushing)
- 151-3313 Hinge Pin
- 151-3314 Short Bushing
- 151-3315 Long Bushing
- 151-3530 Tailgate Hinge Assembly

Combo Hi-Lift Tailgate Assembly



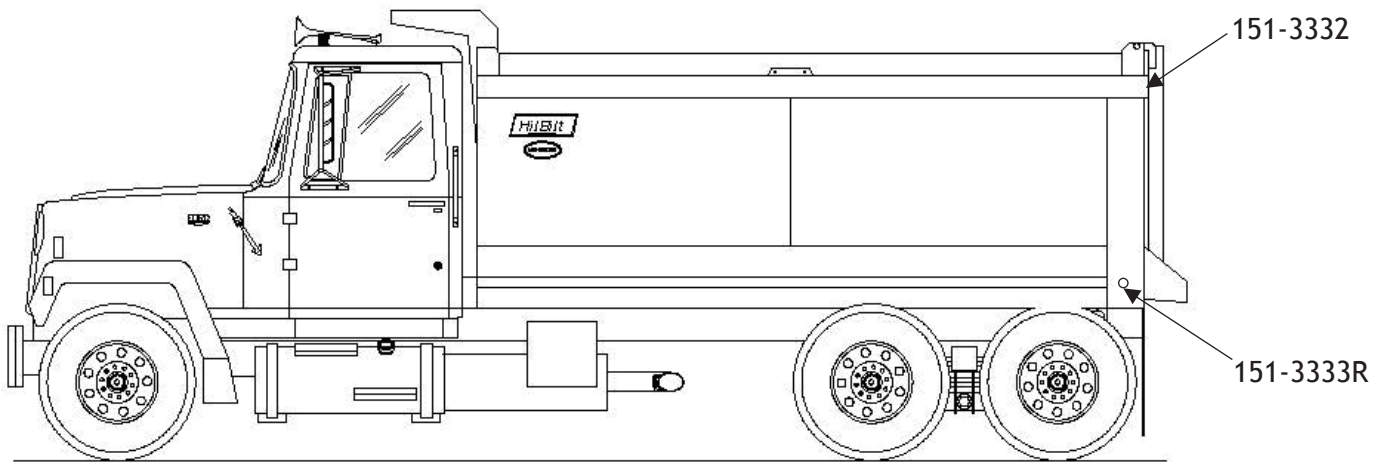
- 151-3315 Tailgate Hinge Arm Bushing (Long) - 3 Required
- 151-4300 Combo Hi-Lift Tailgate Cylinder
- 151-4301 Combo Hi-Lift Tailgate Hinge Arm
- 151-4302 Combo Hi-Lift Hinge Bushing
- 151-4303 Combo Hi-Lift Tailgate Cylinder Pin
- 151-4304 Combo Hi-Lift Hinge Arm
- 151-4305 Combo Hi-Lift Tailgate Hinge Plate Assembly
- 151-4306 Combo Hi-Lift Hinge Rear Cylinder Bracket
- 151-4307 Combo Hi-Lift Tailgate Outside Cylinder Cover
- 151-4308 Combo Hi-Lift Tailgate Air Line Cylinder Bracket
- 151-4309 Combo Tailgate Hinge Side Plate Assembly



Lights

- 151-3332 Upper Rear Marker Incan (Left & Right)
- 151-3333R Lower Rear Marker Incan (Left & Right)
- 151-3335 Grommet for Upper Rear (Left & Right)
- 151-3336 Grommet for Marker
- 151-3411 Harness Upper Rear Marker
- 151-3413 Harness Lower Rear Side Marker

LED Also Available



Parts List

COMBO HI-LIFT TAILGATE HINGE ASSEMBLY

151-3315	Long Bushing - 3 Required
151-4300	Combo Hi-Lift Tailgate Cylinder
151-4301	Combo Hi-Lift Tailgate Hinge Arm
151-4302	Combo Hi-Lift Hinge Bushing
151-4303	Combo Hi-Lift Tailgate Cylinder Pin
151-4304	Combo Hi-Lift Hinge Arm
151-4305	Combo Hi-Lift Tailgate Hinge Plate Assembly
151-4306	Combo Hi-Lift Hinge Rear Cylinder Bracket
151-4307	Combo Hi-Lift Tailgate Outside Cylinder Cover
151-4308	Combo Hi-Lift Tailgate Air Line Cylinder Bracket
151-4309	Combo Tailgate Hinge Side Plate Assembly

HYDRAULIC CYLINDER

Call HILARK for exact replacement cylinder @ (501) 316-4040

STANDARD DUTY REAR DUMP HINGE

151-3570	Standard Duty Hinge
151-3571	Standard Duty Hinge Arm w/Bushing
151-3572	Standard Duty Hinge Arm w/out Bushing
151-3573	Standard Duty Hinge Bushing w/out Hinge Arm
151-3574	Standard Duty Hinge Pin
151-3575	Standard Duty Hinge Side Plate

HEAVY DUTY REAR DUMP HINGE

151-3580	Heavy Duty Hinge
151-3581	Heavy Duty Hinge Arm w/Bushing
151-3582	Heavy Duty Hinge Arm w/out Bushing
151-3233	Heavy Duty Hinge Bushing w/out Hinge Arm
151-3584	Heavy Duty Hinge Pin
151-3585	Heavy Duty Hinge Side Plate

SADDLES AND HYDRAULIC TANKS

151-3551	Standard Dump Body Saddle
151-3552	Large Underbody Saddle
151-3553	Front Mount Saddle
151-3555	Pin (1-15/16" x 13" w/ 9/16" hole)
151-3561	Standard Hydraulic Tank
151-3564	Standard Side Mount Hydraulic Tank (Large Available)
151-3565	Slope Front Hydraulic Tank
151-3566	Drop Bottom Hydraulic Tank
151-3705	Breather Filter

Parts List (Cont.)

LIGHTS

151-3332	Upper Rear Marker Incan (Left & Right)
151-3333R	Lower Rear Marker Incan (Left & Right)
151-3335	Grommet for Upper Rear (Left & Right)
151-3336	Grommet for Marker
151-3411	Harness Upper Rear Marker
151-3413	Harness Lower Rear Side Marker

LED Also Available

TAILGATE LATCH ASSEMBLY

151-3318	Latch Arm (Left or Right)
151-3319	Clevis (Left or Right)
151-3321	Tailgate Latch (Left or Right)
151-3324	Latch Rod (Left or Right)
151-3325	Complete Tailgate Rear Latch Assembly
151-3327	Rear Latch Inner Pivot Arm
151-3349	2-1/2" x 8" Cylinder

MANUAL TAILGATE LATCH ASSEMBLY

151-3540	Tailgate Latch Handle
151-3541	Front Control Rod
151-3542	"Break Over" Block
151-3543	Adjusting Linkage Rod
151-3544	Long Tailgate Latch Rod (Specify Length)

TAILGATE HINGE ASSEMBLY

151-3312	Hinge Arm w/out Bushing
151-3313	Hinge Pin
151-3314	Short Bushing
151-3315	Long Bushing
151-3530	Complete Tailgate Hinge Assembly

Manufacturer's Warranty

HilArk Industries, referred to herein as "the Manufacturer", warrants each new product of its own manufacture to be free from defects in material and workmanship, under normal use and service, to the original owner only, for a period of twelve (12) months from the date of purchase subject to conditions and warranty extensions outlined below.

Manufacturer's obligation under this warranty is limited to repair or replacement with similar part(s) of any part(s) of the product of its manufacture which is returned to manufacturer within thirty (30) days after discovery of defect by the original owner, provided that in manufacturer's judgment the part is defective in material and/or workmanship.

Manufacturer will furnish without charge, FOB its plant a similar part to replace any part of a product of its manufacture which proves in manufacturer's judgment to be defective in material or workmanship while in normal use and service during this warranty period.

The manufacturer's warranty or obligation in connection with the sale of the product to the original owner:

1. Shall be expressly limited to the repair or replacement of defective parts, as stated above all other damage and claims, statutory or otherwise, being hereby expressly waived by the purchaser and covers only those labor charges specifically authorized and approved by manufacturer.
2. Shall not apply to failure or damage incurred through the original owners neglect, lack of maintenance, misuse, accident, improper installation and use, reconstructing or modifying of assemblies and parts through any other cause beyond the control of the manufacturer.
3. Shall not apply if the product has been operated or used beyond manufacturer's recommended capacity.
4. Does not cover products of other manufacturers beyond such warranty as is made by such other manufacturer.
5. Requires that all warranty repairs shall be made by a manufacturer approved facility. A manufacturer's authorized distributor must obtain manufacturer's authorization before making warranty repair or replacement.

No claim under this warranty shall be valid unless such claim is submitted to the manufacturer within twelve (12) months after date of sale and within thirty (30) days after the discovery of the defect, which is the basis for such claim, whichever shall occur first. The foregoing is manufacturer's sole warranty and manufacturer makes no other warranties of any kind whatsoever: express, implied or statutory. All implied warranties or merchantability and fitness for a particular purpose, written or oral, are hereby disclaimed by the manufacturer. In no event shall HilArk Industries, Inc. be liable for consequential damages nor shall HilArk's liability on any claim for any direct, incidental or special damages arising out of or connected with sales contract or manufacture, sale, deliver or use of the products shall exceed the purchase price of the goods.



DUMP BODIES

Manufactured By
HilArk Industries



HilArk Industries
20020 Interstate 30
Benton, AR 72019
(501) 316-4040
www.hilark.com